

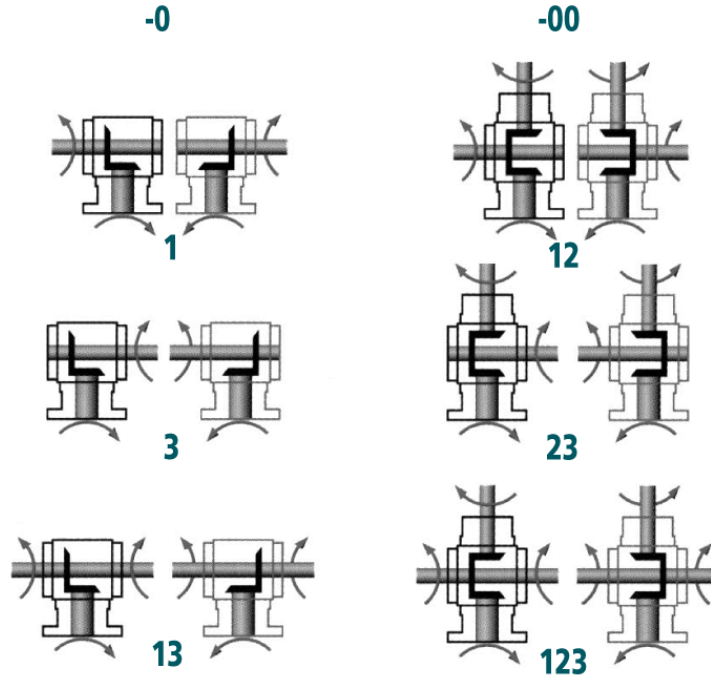
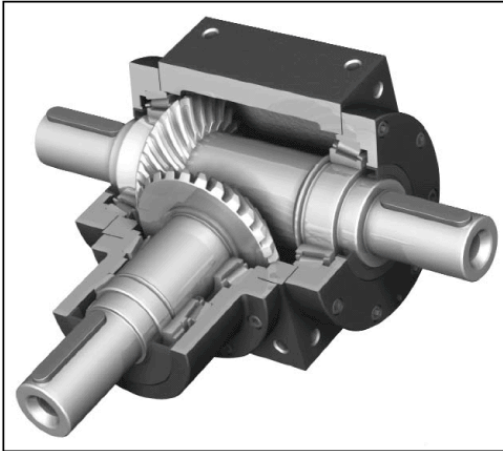
VP

GEARBOXES

Series FL Spiral Bevel Power Gearbox

Sizes *VP75 to VP280 1:1 - 5:1*

Shaft Arrangements



right view in each case - mirrored presentation

Part Number	a	Øb h7	Øc	Ød2 k6	e	f2	g1	g2	h	k	l2	Price Each 1 - 4
VP75FL0-0	75	73	72	16	37.5	84	15	14.5	62.5	M6	30	£765.69
VP75FL0-00	75	73	72	16	37.5	84	15	14.5	62.5	M6	30	£926.73
VP90FL0-0	90	88	86	18	45.0	97	15	15.0	68.0	M6	35	£793.50
VP90FL0-00	90	88	86	18	45.0	97	15	15.0	68.0	M6	35	£1077.53
VP110FL0-0	110	108	106	22	55.0	112	15	15.0	80.0	M8	40	£951.62
VP110FL0-00	110	108	106	22	55.0	112	15	15.0	80.0	M8	40	£1282.49
VP140FL0-0	140	135	104	32	70.0	137	15	15.0	110.0	M10	50	£1226.86
VP140FL0-00	140	135	104	32	70.0	137	15	15.0	110.0	M10	50	£1592.87
VP170FL0-0	170	165	128	40	85.0	162	15	15.0	130.0	M12	60	£1569.45
VP170FL0-00	170	165	128	40	85.0	162	15	15.0	130.0	M12	60	£1991.09
VP210FL0-0	210	205	160	50	105.0	202	20	20.0	170.0	M16	75	£1982.30
VP210FL0-00	210	205	160	50	105.0	202	20	20.0	170.0	M16	75	£2452.26
VP240FL0-0	240	235	180	55	120.0	231	25	25.0	180.0	M16	85	£2661.62
VP240FL0-00	240	235	180	55	120.0	231	25	25.0	180.0	M16	85	£3308.73
VP280FL0-0	280	275	200	60	140.0	276	25	25.0	185.0	M16	110	£3851.89
VP280FL0-00	280	275	200	60	140.0	276	25	25.0	185.0	M16	110	£4761.06

Material

Casing: Spheroidal graphite iron.

Other Info.

Ratios: 1:1 to 5:1.

Ordering Info.

Part No.
VP * * * * - *
VP 7 5 FL 1 - 1

Size _____ Shaft Arrangement _____
Series _____ Ratio _____

Discounts

Qty.	1+	5+
Disc	list	-5%

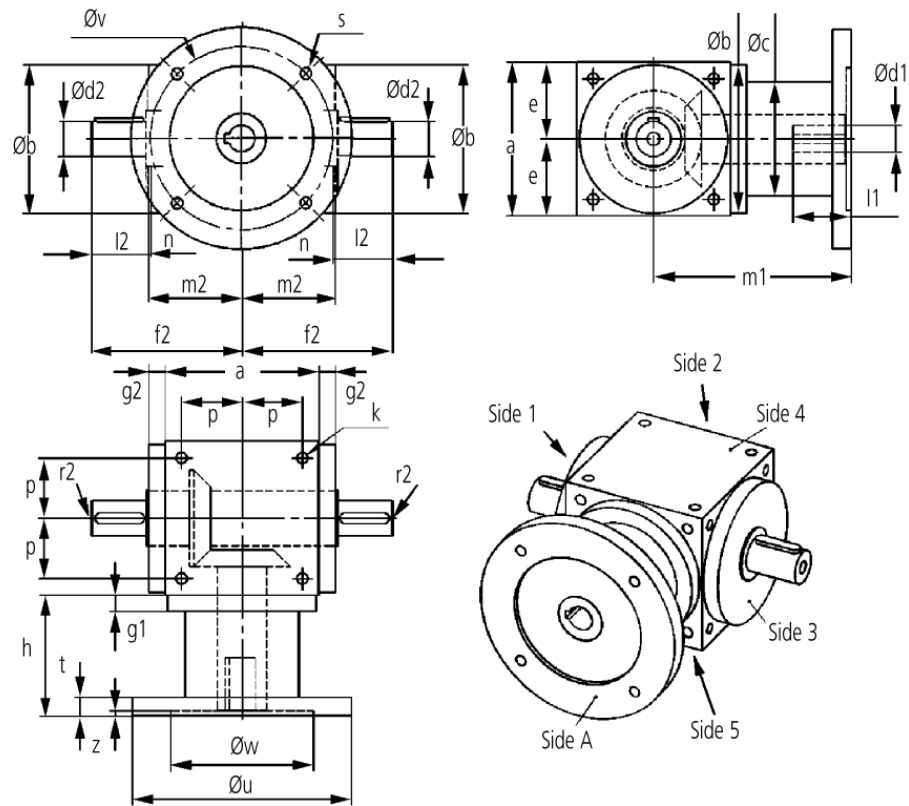


GEARBOXES

Series FL Spiral Bevel Power Gearbox

Sizes *VP75 to VP280 1:1 - 5:1*

VP



Part Number	m1	m2	n	p	r2	t	Z	Key at d2*
VP75FL0-0	100	54	2	30	M5	14	4.5	5x5x25
VP75FL0-00	100	54	2	30	M5	14	4.5	5x5x25
VP90FL0-0	113	62	2	36	M6	14	4.5	6x6x28
VP90FL0-00	113	62	2	36	M6	14	4.5	6x6x28
VP110FL0-0	135	72	2	44	M8	17	5.0	6x6x32
VP110FL0-00	135	72	2	44	M8	17	5.0	6x6x32
VP140FL0-0	180	87	2	55	M12	17	5.0	10x8x45
VP140FL0-00	180	87	2	55	M12	17	5.0	10x8x45
VP170FL0-0	215	102	2	67	M16	20	6.0	12x8x50
VP170FL0-00	215	102	2	67	M16	20	6.0	12x8x50
VP210FL0-0	275	127	2	85	M16	20	6.0	14x9x70
VP210FL0-00	275	127	2	85	M16	20	6.0	14x9x70
VP240FL0-0	300	147	2	95	M20	20	6.0	16x10x80
VP240FL0-00	300	147	2	95	M20	20	6.0	16x10x80
VP280FL0-0	325	167	2	110	M20	20	6.0	18x11x100
VP280FL0-00	325	167	2	110	M20	20	6.0	18x11x100

*acc to DIN 6885/1