

24V DC Clutches

Combinorm - Power On for Positive Drive



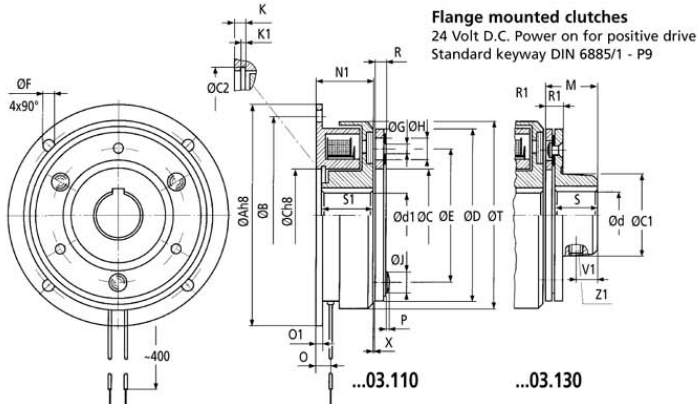
Part Number	M _{2N} Nm	P 20°C W	A h8	B	ØC H8	C1	C2	d max	d1 max	D	E	F	G	H	J	K
O1.03.110.00	0.50	6	39	33.5	11	13.5	-	6	6	28	19.5	3.4	2x2.1	5.3	4.5	-
O1.031300000	0.50	6	39	33.5	11	13.5	-	6	6	28	19.5	3.4	2x2.1	5.3	4.5	-
O2.03.110.00	0.75	6	45	38.0	13	16.0	13.6	8	8	32	23.0	3.4	2x2.6	6.0	5.0	3.00
O2.031300000	0.75	6	45	38.0	13	16.0	13.6	8	8	32	23.0	3.4	2x2.6	6.0	5.0	3.00
O3.03.110.00	1.50	8	54	47.0	19	22.0	20.0	10	10	40	30.0	3.4	3x3.1	6.0	5.5	3.00
O3.031300000	1.50	8	54	47.0	19	22.0	20.0	10	10	40	30.0	3.4	3x3.1	6.0	5.5	3.00
O5.03.110.00	3.00	10	65	58.0	26	24.0	27.0	15	15	50	38.0	3.4	3x3.1	6.5	5.5	3.20
O5.031300000	3.00	10	65	58.0	26	24.0	27.0	15	15	50	38.0	3.4	3x3.1	6.5	5.5	3.20
O6.03.110.00	7.00	15	80	72.0	35	32.0	36.0	18	20	63	50.0	4.5	3x4.1	10.0	8.0	3.50
O6.031300000	7.00	15	80	72.0	35	32.0	36.0	18	20	63	50.0	4.5	3x4.1	10.0	8.0	3.50
O7.03.110.00	15.00	20	100	90.0	42	38.0	43.5	22	25	80	60.0	5.5	3x4.1	11.0	8.0	4.25
O7.031300000	15.00	20	100	90.0	42	38.0	43.5	22	25	80	60.0	5.5	3x4.1	11.0	8.0	4.25
O8.03.110.00	30.00	28	125	112.0	52	48.0	53.8	30	30	100	76.0	6.6	3x5.1	11.5	10.0	5.00
O8.031300000	30.00	28	125	112.0	52	48.0	53.8	30	30	100	76.0	6.6	3x5.1	11.5	10.0	5.00
O9.03.110.00	65.00	35	150	137.0	62	58.0	63.8	35	35	125	95.0	6.6	3x6.1	15.0	11.5	5.50
O9.031300000	65.00	35	150	137.0	62	58.0	63.8	35	35	125	95.0	6.6	3x6.1	15.0	11.5	5.50
10.03.110.00	130.00	50	190	175.0	80	73.0	82.1	45	50	160	120.0	9.0	3x8.1	21.0	14.5	6.00
10.031300000	130.00	50	190	175.0	80	73.0	82.1	45	50	160	120.0	9.0	3x8.1	21.0	14.5	6.00
11.03.110.00	250.00	68	230	215.0	100	92.0	102.1	60	65	200	158.0	9.0	3x10.1	25.0	17.5	7.00
11.031300000	250.00	68	230	215.0	100	92.0	102.1	60	65	200	158.0	9.0	3x10.1	25.0	17.5	7.00
12.03.110.00	500.00	85	290	270.0	125	112.0	127.4	70	80	250	210.0	11.0	4x12.1	28.0	20.5	8.00
12.031300000	500.00	85	290	270.0	125	112.0	127.4	70	80	250	210.0	11.0	4x12.1	28.0	20.5	8.00

Other Info.

After applying DC voltage (standard 24 V DC) the armature is attracted by the force of a magnetic field over the air gap to the brake magnet or rotor. This results in a frictionally engaged connection (for single-face elements) or a positive-locking connection (for tooth clutches).

24V DC Clutches

Combinorm - Power On for Positive Drive



Part Number	K1	M	N1	O	O1	P	R	R1	S	S1	T	X	Z1	Weight kg	Price Each	
01.03.110.00	-	9.3	18.0	5.0	1.5	1.0	2.3	4.3	7	16.5	31.0	2.5	0.10	1xM3	0.10	£137.31
01.031300000	-	9.3	18.0	5.0	1.5	1.0	2.3	4.3	7	16.5	31.0	2.5	0.10	1xM3	0.10	£254.31
02.03.110.00	1.10	12.1	22.2	7.5	2.0	1.3	2.1	4.1	10	20.2	34.0	4.0	0.15	1xM3	0.10	£185.61
02.031300000	1.10	12.1	22.2	7.5	2.0	1.3	2.1	4.1	10	20.2	34.0	4.0	0.15	1xM3	0.10	£230.56
03.03.110.00	1.10	14.7	25.4	7.0	2.0	1.5	2.7	5.3	12	23.4	43.0	5.0	0.15	1xM4	0.20	£133.87
03.031300000	1.10	14.7	25.4	7.0	2.0	1.5	2.7	5.3	12	23.4	43.0	5.0	0.15	1xM4	0.20	£193.70
05.03.110.00	1.30	15.0	28.1	7.5	2.0	1.5	3.0	6.0	12	26.1	54.0	5.0	0.20	1xM5	0.35	£124.68
05.031300000	1.30	15.0	28.1	7.5	2.0	1.5	3.0	6.0	12	26.1	54.0	5.0	0.20	1xM5	0.40	£178.18
06.03.110.00	1.60	18.8	24.0	6.0	3.0	2.0	3.8	7.3	15	22.0	67.0	6.0	0.20	1xM6	0.50	£118.38
06.031300000	1.60	18.8	24.0	6.0	3.0	2.0	3.8	7.3	15	22.0	67.0	6.0	0.20	1xM6	0.50	£179.61
07.03.110.00	1.85	24.3	26.5	7.0	3.0	2.0	4.3	8.3	20	24.0	85.0	8.0	0.20	1xM6	0.90	£153.55
07.031300000	1.85	24.3	26.5	7.0	3.0	2.0	4.3	8.3	20	24.0	85.0	8.0	0.20	1xM6	0.90	£204.17
08.03.110.00	2.15	31.0	30.0	8.0	4.0	2.5	6.0	11.0	25	27.0	106.0	10.0	0.20	1xM8	1.60	£195.59
08.031300000	2.15	31.0	30.0	8.0	4.0	2.5	6.0	11.0	25	27.0	106.0	10.0	0.20	1xM8	1.60	£268.51
09.03.110.00	2.15	36.9	33.5	9.0	4.0	3.0	6.9	12.9	30	30.0	133.0	12.0	0.30	1xM10	2.80	£262.51
09.031300000	2.15	36.9	33.5	9.0	4.0	3.0	6.9	12.9	30	30.0	133.0	12.0	0.30	1xM10	2.80	£350.87
10.03.110.00	2.65	46.9	37.5	11.0	5.0	4.0	8.9	15.9	38	34.0	169.0	15.0	0.30	1xM10	5.60	£362.02
10.031300000	2.65	46.9	37.5	11.0	5.0	4.0	8.9	15.9	38	34.0	169.0	15.0	0.30	1xM10	5.60	£481.27
11.03.110.00	3.15	59.2	44.0	12.0	5.0	4.5	11.2	20.2	48	40.0	212.5	19.0	0.40	1xM12	9.70	£560.49
11.031300000	3.15	59.2	44.0	12.0	5.0	4.5	11.2	20.2	48	40.0	212.5	19.0	0.40	1xM12	9.70	£742.24
12.03.110.00	4.15	68.0	51.0	15.0	6.0	5.0	13.0	24.0	55	47.0	266.0	22.0	0.40	1xM12	17.90	£980.05
12.031300000	4.15	68.0	51.0	15.0	6.0	5.0	13.0	24.0	55	47.0	266.0	22.0	0.40	1xM12	17.60	£1270.71

Ordering Information

