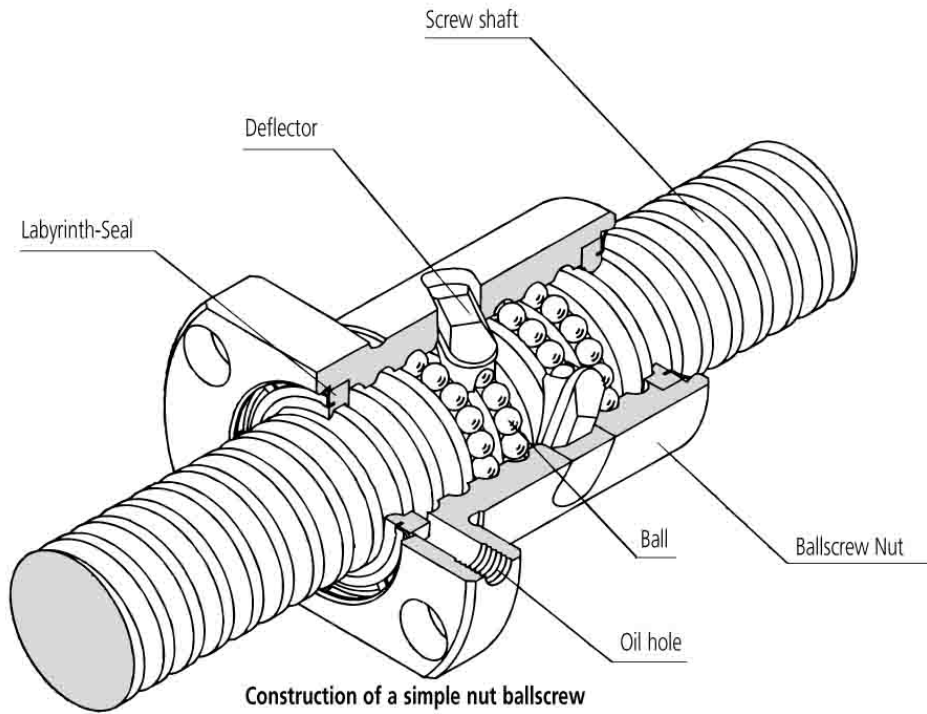


LINEAR MOTION

Precision Ballscrews



Availability

Precision ballscrews can be delivered with the following specifications at short notice:

- according to DIN 69051, part 5 (ISO 3408-5)
- with large lead

Precision Rolled Ballscrews

Ground precision ballscrews are best suited for applications, where high axial rigidity is required. Precision rolled ballscrews are a cost-effective alternative to ground ground ballscrews. These products match the accuracy grades of the standard DIN 69051, part 3, as well as ISO 3408-3.

Standard Accuracy grade Manufacturing method	JIS (Jap. industrial standard)		Cp3	DIN/ISO	Ct5
	C3	C5		Cp5	
	Ground			Precision rolled	
Preload	Double nut	0.05 Ca	0.05 Ca	0.05 Ca	—
	EP Pitch shifted	0.05 Ca	0.05 Ca	0.02 Ca	—
	EB Ball selection	0.02 Ca	0.02 Ca	0.02 Ca	—

Support Units and Screw Shafts with Finished Ends Available

Precision ballscrews can be delivered with support units and the appropriate shaft ends.

Precision Ballscrews according to DIN 69051 (1989)



EPB/EBB (Form B)

Single Nut
Preloaded/With Axial Play
Available screw shaft diameter x lead:
16 x 05 - 63 x 20



BLK

Single Nut
Without Axial Play
Available screw shaft diameter x lead:
16 x 16 - 40 x 40

T
E
G
H
N
I
G
A
L